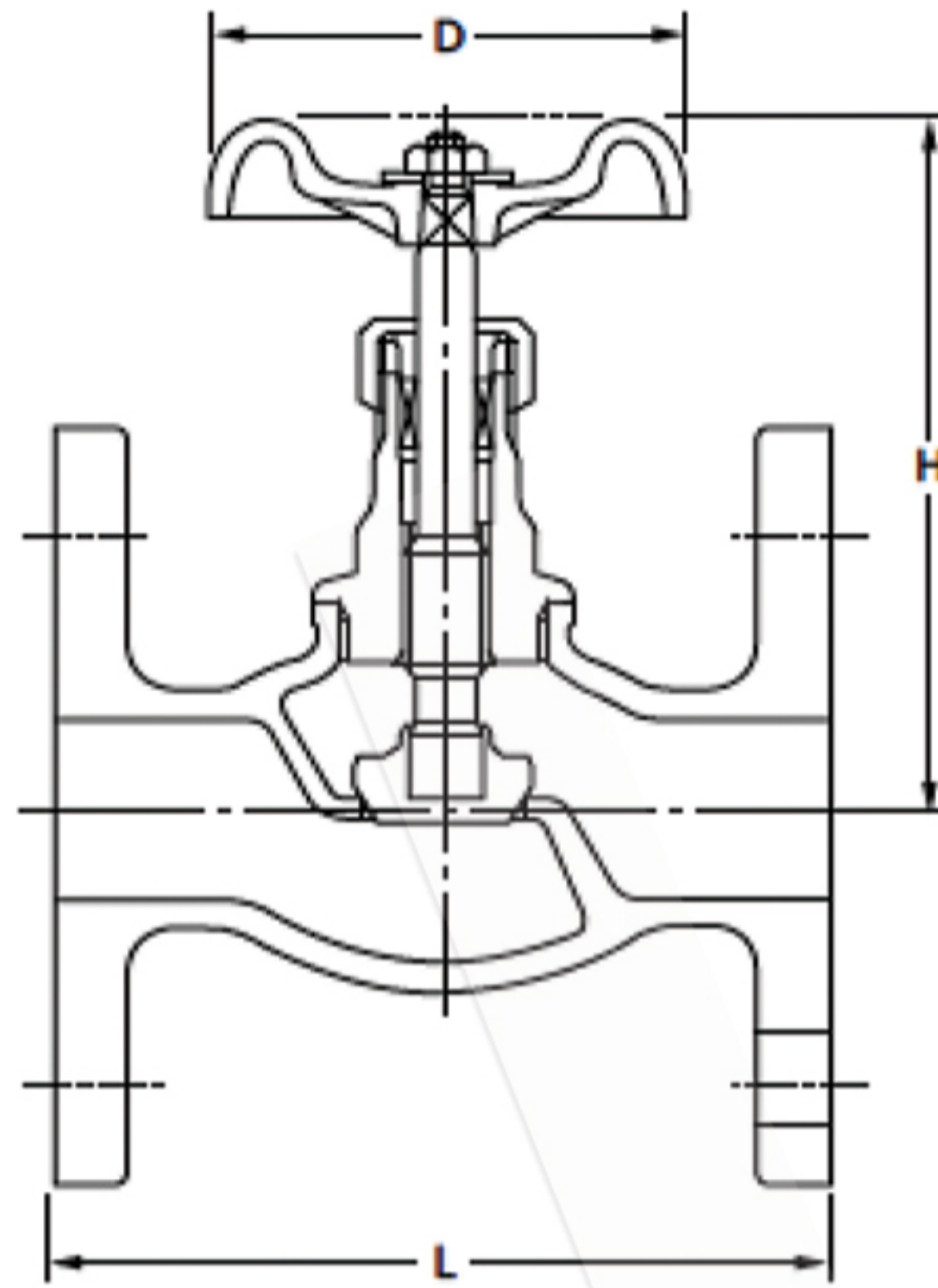


10K

GLOBE VALVE

Pressure-Temperature Rating: 1.0 MPa: 180°C

UCB



Parts	UCB
Body	SCS13A
Bonnet	SCS13A
Stem	SUS304
Disc	SUS304
Gland	SUS304
Gland packing	Refer to Page 10
Packing nut	SCS13A/SUS304
Handwheel	ZDC (10 to 20) / ADC12 (25 to 50)
Name plate	A1050P

Face to face dimensions: KITZ Std. \*Except flange thickness  
 End flange dimensions: JIS B2220\*  
 Wall thickness: KITZ Std.

Nominal Size	Unit: mm						
	3/8	1/2	3/4	1	1 1/4	1 1/2	2
L	73	85	95	108	120	135	155
H	106	106	108	119	142	155	186
D	70	70	70	80	90	90	115